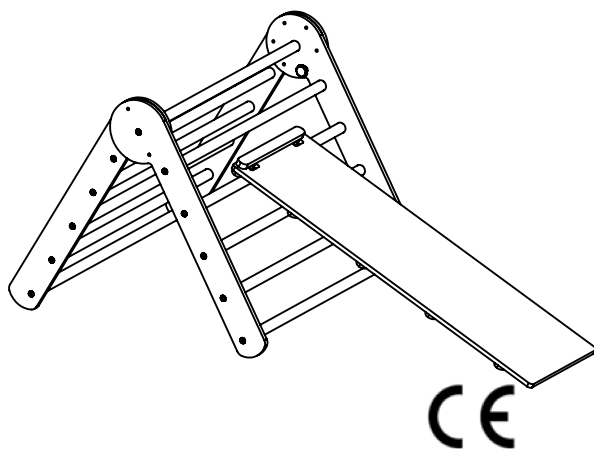


KateHaa

WOODEN TOYS & CHILDREN'S FURNITURE

2 - in - 1 climbing triangle
with ramp, slide



INSTRUCTIONS FOR ASSEMBLY,
MAINTENANCE AND SAFE USE.

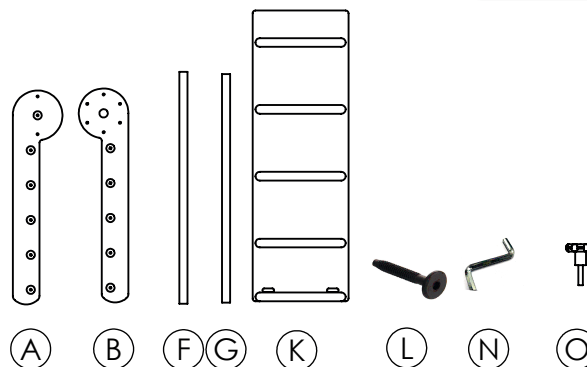
MADE IN LATVIA

KateHaa SIA

Production & Warehouse:
"Slavas", Tinuzi, Ogre region,
Latvia, LV-5015
Email: info@katehaa.com
www.katehaa.com

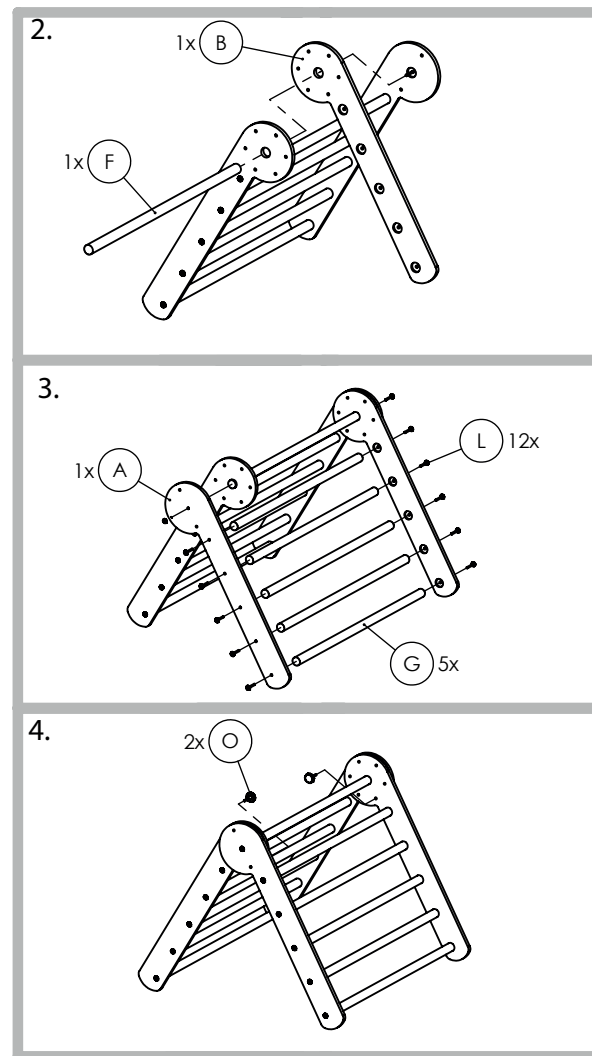
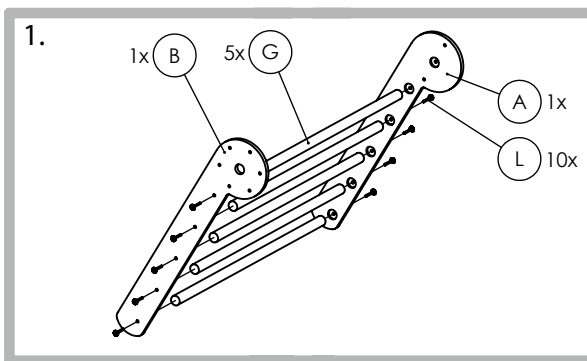
The package contains:

**ADULT
ASSEMBLY
REQUIRED**



- A - TRIANGLE SIDES (x2)
- B - TRIANGLE SIDES (x2)
- F - TRIANGLE RUNG (x1)
- G - TRIANGLE RUNGS (x10)
- K - RAMP (x1)
- L - FLAT HEAD SCREWS (x26)
- N - ALLEN KEY (x1)
- O - THUMB SCREWS (x2)

For assembling please follow these steps:



Note: - Use ALLEN KEY to screw the SCREWS into the predrilled holes.
- Use your hand to hold the WOODEN BARS during tightened the SCREWS.
- WOODEN BARS are not allowed to constantly turn around during tightened the SCREWS.
- For easier assembly we recommend at first screw in all the SCREWS till half. When ALL SCREWS is tightened till half, tighten them completely.



Thank you!

FOLLOW US ON:



