

Montageanleitung
Instructions de montage
Montagehandleiding Instrukcja montaży
Instrucijuni de montaj
Návod na montáž
Montážní návod
Szerelési útmutató
Navodilo za montažo
Upute o montaži
Istruzioni per il montaggio
Instrucciones de montaje

KateHaa

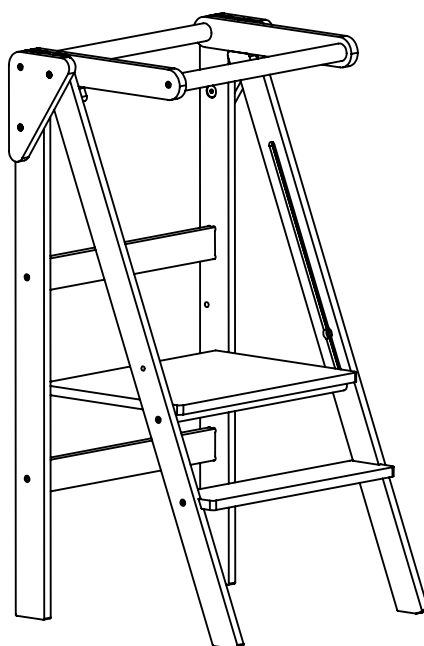
WOODEN TOYS & CHILDREN'S FURNITURE

KITCHEN TOWER

USER MANUAL

ver. 2.0

READ THIS MANUAL CAREFULLY.
INSTRUCTIONS FOR ASSEMBLY, MAINTENANCE AND SAFE USE.



MADE IN LATVIA

KateHaa SIA
Production & Warehouse
"Slavas", Tinuzi, Ogres region,
Latvia, LV-5015

e-mail: info@katehaa.com
www.katehaa.com

CONTACT

IF YOU HAVE ANY QUESTIONS OR CONCERNS, CONTACT US BY EMAIL
info@katehaa.com

OR ON OUR WEBSITE
www.katehaa.com



[katehaa.toys](https://www.facebook.com/katehaa.toys)



[katehaa.toys](https://www.instagram.com/katehaa.toys)

IMPORTANT! READ INSTRUCTIONS BEFORE ASSEMBLING AND USING THE PRODUCT.

WARNING

- ALWAYS FIRMLY LEAN THE TOWER AGAINST THE WALL OR COUNTER. NEVER LEAVE CHILD UNATTENDED.
- FALL HAZARD: THIS PRODUCT MUST BE USED UNDER ADULT SUPERVISION AT ALL TIMES.
- FALLS CAN HAPPEN SUDDENLY IF CHILD IS NOT RESTRAINED PROPERLY.
- NEVER LEAVE THE CHILD UNATTENDED.
- THIS PRODUCT MUST BE ASSEMBLED BY AN ADULT.
- THIS PRODUCT IS SUITABLE FOR CHILDREN 36 MONTHS +.
- DO NOT USE THE PRODUCT IF YOUR CHILD CANNOT STAND UNAIDED.
- CHOKING HAZARD - THE SCREWS AND PARTS USED FOR THIS PRODUCT ARE SMALL. THESE PARTS SHOULD BE OUT OF REACH OF CHILDREN UNDER 3 YEARS OLD.
- REMOVE AND DISPOSE OF ALL PACKAGING MATERIALS AND KEEP THESE OUT OF REACH OF CHILDREN.
- CHECK THE PRODUCT REGULARLY FOR SIGNS OF WEAR AND TEAR.
- DO NOT ALLOW CHILDREN TO USE THE PRODUCT IF ANY PART IS DAMAGED, MISSING OR HAS LOOSE SCREWS.
- CHECK ALL FASTENERS REGULARLY.
- FAILURE TO FOLLOW THESE WARNINGS AND THE INSTRUCTIONS COULD RESULT IN SERIOUS INJURY OR DEATH.
- THIS PRODUCT IS DESIGNED TO HAVE ONLY ONE CHILD USING THIS PRODUCT AT A TIME.
- WEIGHT LIMIT UP TO 110 LBS (50 KG).
- KEEP THIS PRODUCT AWAY FROM HEAT SOURCES OR NEAR WET SURROUNDINGS.
- DO NOT USE CHEMICALS ON THE PRODUCT.

WE DO NOT TAKE ANY RESPONSIBILITY FOR POSSIBLE ACCIDENTS OR DAMAGE CAUSED BY FAILURE OR NEGLECT TO FOLLOW OR MISUNDERSTANDING THIS MANUAL.

WARRANTY

WOODEN TOYS AND FURNITURE ARE GENERALLY MORE DURABLE THAN PLASTIC TOYS, BUT THEY CAN BREAK SOMETIMES. ALTHOUGH WOODEN TOYS AND FURNITURE LAST MANY YEARS WHEN TREATED WITH CARE.

KATEHAA PRODUCTS ARE NOT GUARANTEED AGAINST DAMAGE DUE TO USE.

PRODUCTS SOLD BY KATEHAA ARE GUARANTEED AGAINST DEFECTS IN MATERIALS AND WORKMANSHIP FOR A PERIOD OF TWO (2) YEARS FROM THE DATE OF ORIGINAL PURCHASE.

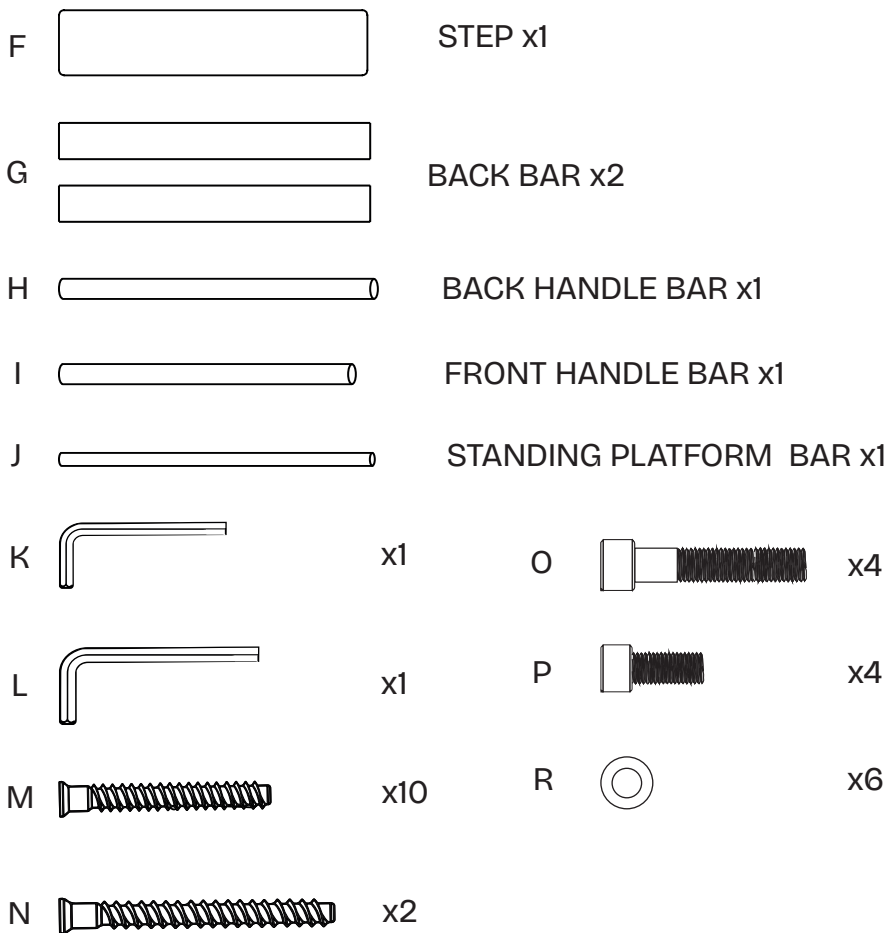
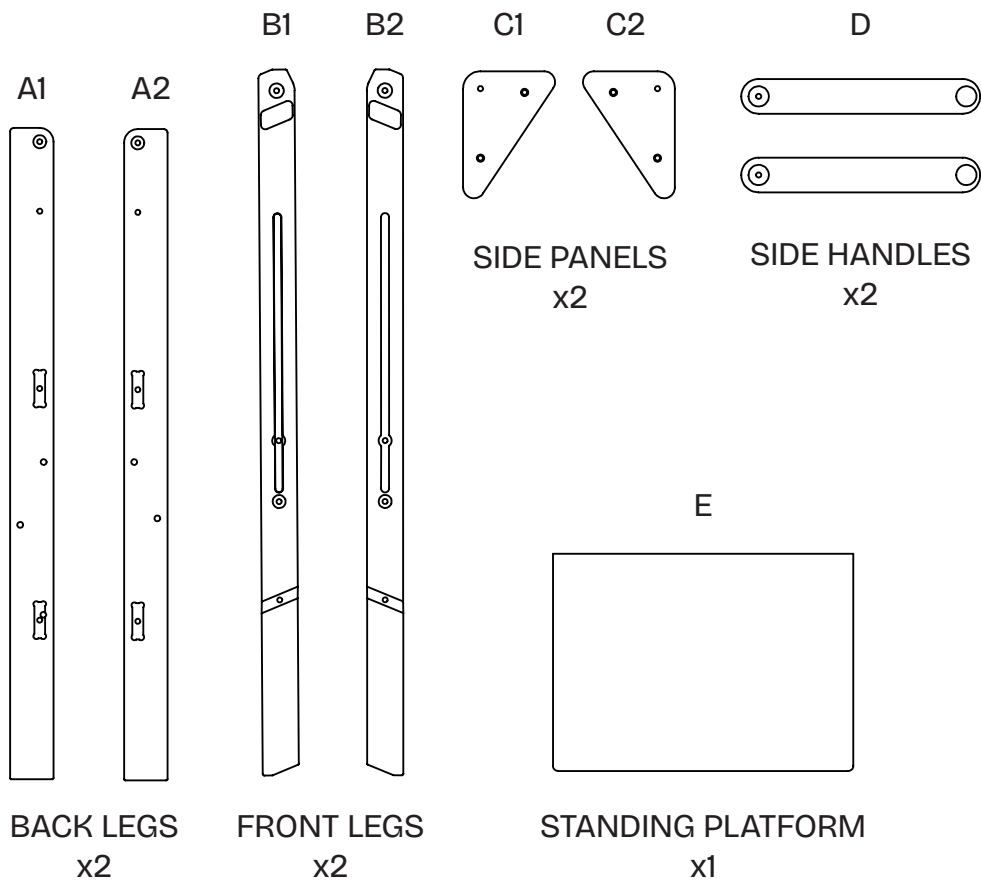
THE WARRANTY IS VALID ONLY UNDER NORMAL USE OF THE PRODUCT AND FOR THE USE FOR WHICH IT IS NORMALLY INTENDED.

THE FOLLOWING ARE NOT COVERED BY THE WARRANTY:

- ACCIDENTS
- NEGLIGENCE, MISUSE AND/OR ABNORMAL USE
- IMPROPER STORAGE
- MODIFICATIONS AND/OR ALTERATIONS
- COMMERCIAL USE OF THE PRODUCT
- OVER-EXPOSURE TO HIGH OR PROLONGED HEAT
- USE OF ABRASIVE CLEANING TOOLS OR CHEMICAL CLEANING PRODUCTS

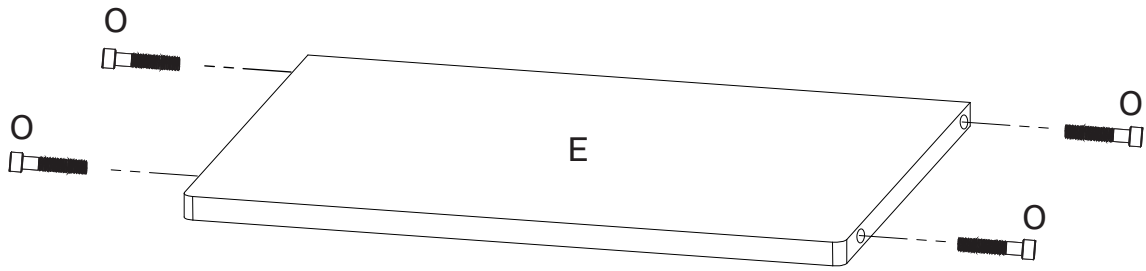
TO MAKE A CLAIM, CONTACT US AT INFO@KATEHAA.COM AND WE WILL GLADLY GUIDE YOU THROUGH THE PROCEDURE.

PARTS AND HARDWARE



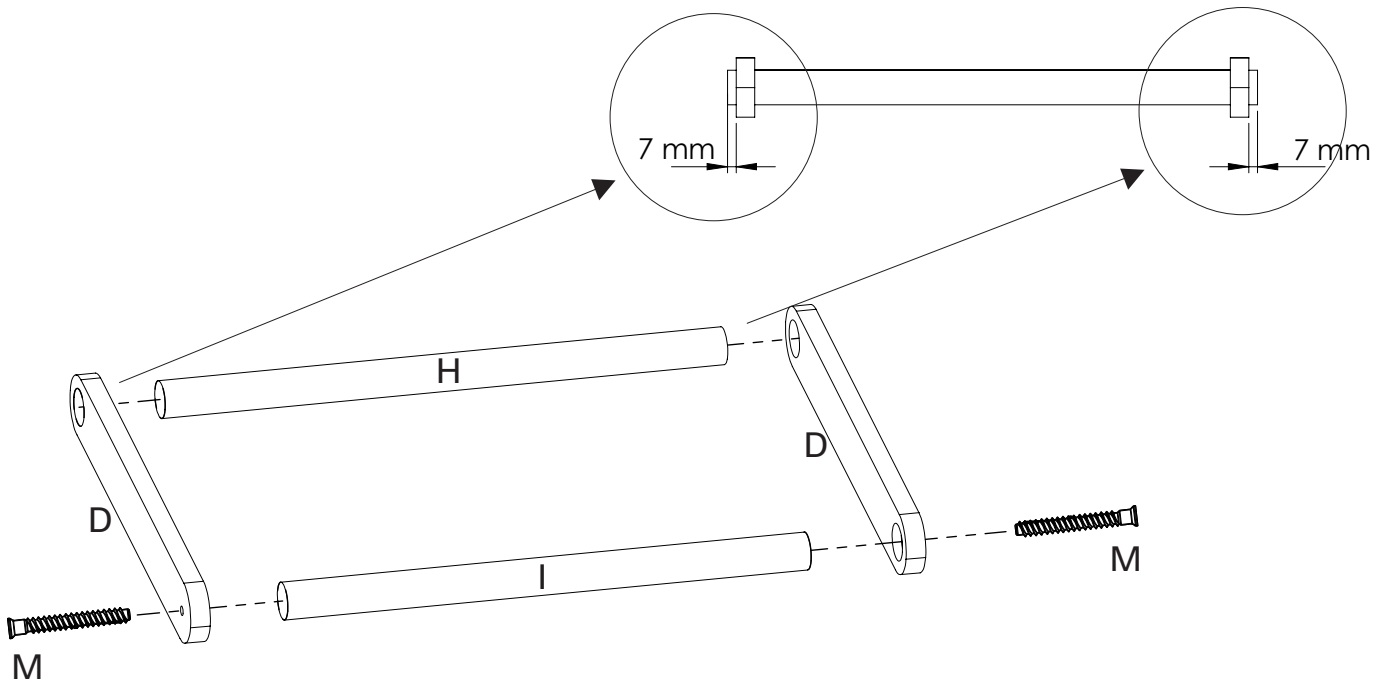
If any part is damaged or missing please email info@katehaa.com

STEP 1



TAKE SCREWS "O" AND ALLEN KEY "L" AND SCREW ALL SCREWS FULLY IN.

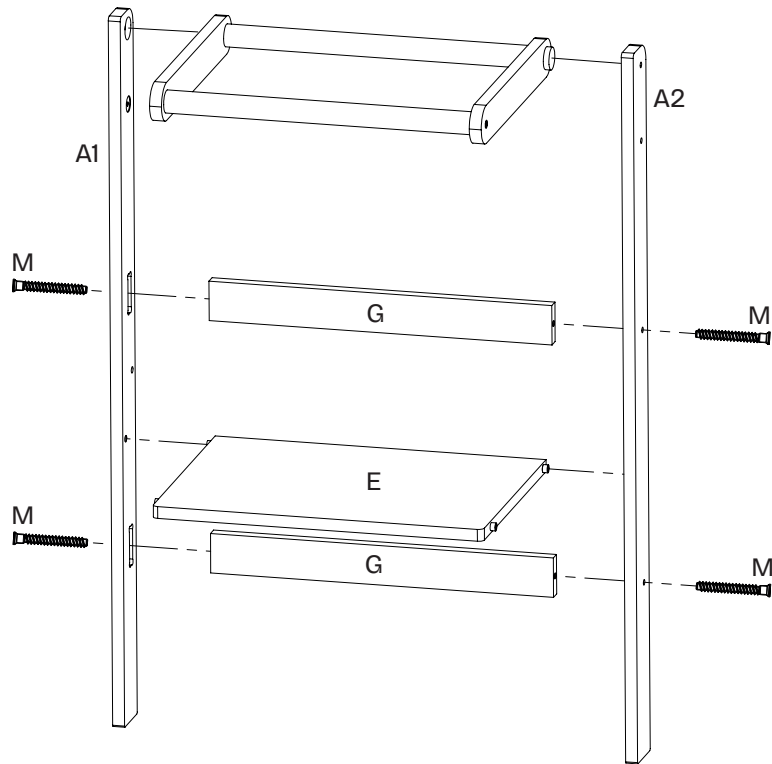
STEP 2



TAKE SCREWS "M", ALLEN KEY "K" AND SCREW x2 PARTS "D" WITH PART "H"
AND PART "I" AS SHOWN.

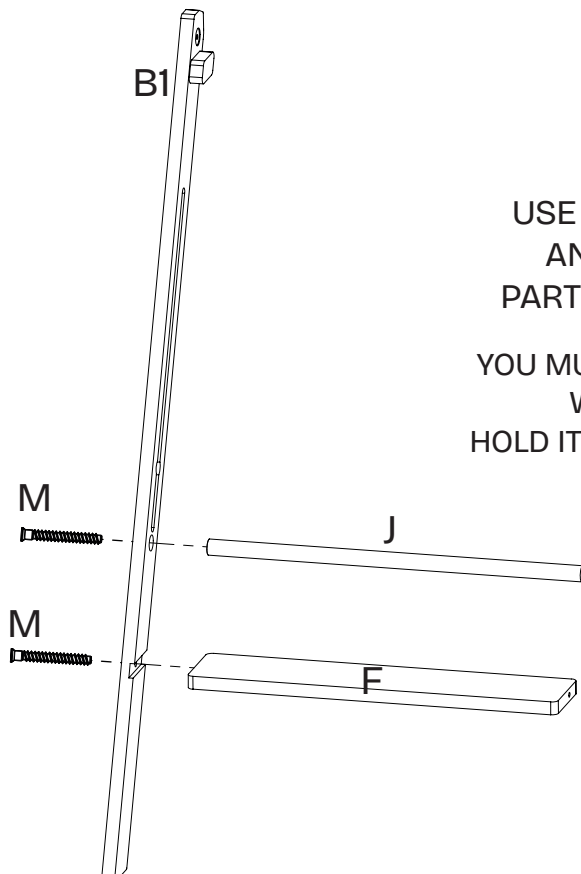
YOU MUST HOLD PARTS "I" AND "H" TIGHT WHILE THEY ARE SCREWED.
HOLD IT SO IT DOESN'T ROLL AND MOVE.

STEP 3



USE SCREWS "M", ALLEN KEY "K" AND SCREW PARTS "A1" AND "A2" WITH PARTS "G" AND PART "E" AS SHOWN.

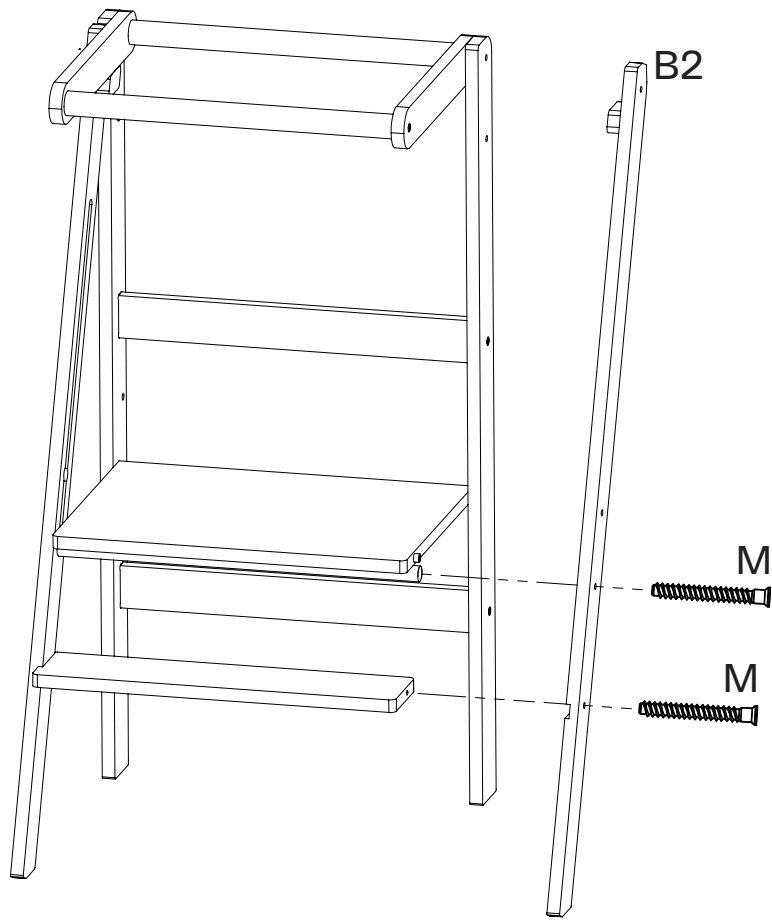
STEP 4



USE SCREWS "M", ALLEN KEY "K" AND SCREW PART "B1" WITH PART "J" AND PART "F" AS SHOWN.

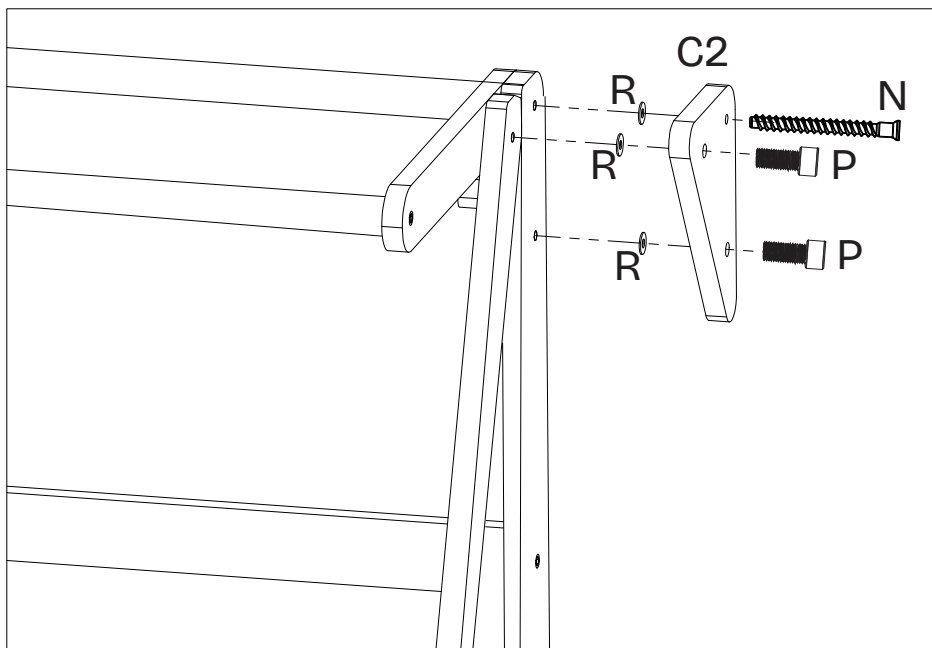
YOU MUST HOLD PARTS "I" AND "H" TIGHT WHILE THEY ARE SCREWED. HOLD IT SO IT DOESN'T ROLL AND MOVE. ■

STEP 5



USE SCREWS "M", ALLEN KEY "K" AND SCREW PART "B2" AS SHOWN.

STEP 6



REPEAT THIS STEP FOR BOTH SIDES.