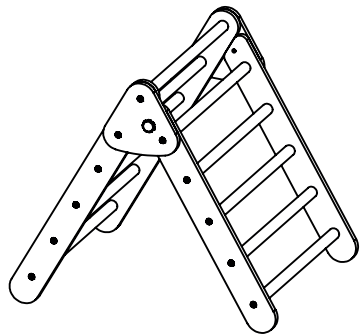


KateHaa

WOODEN TOYS & CHILDREN'S FURNITURE

Learn, Play and Explore

WOODEN ACTIVITY TOY CLIMBING TRIANGLE FRAME



INSTRUCTIONS FOR ASSEMBLY,
MAINTENANCE AND SAFE USE.

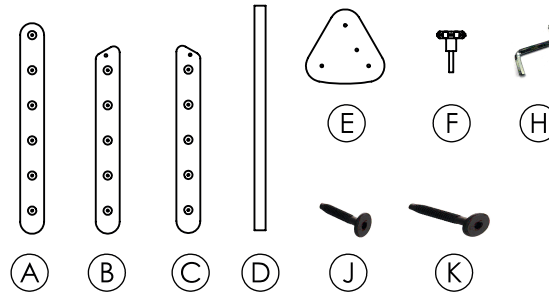
MADE IN LATVIA

KateHaa SIA

Production & Warehouse:
"Slavas", Tinuzi, Ogre region,
Latvia, LV-5015
Email: info@katehaa.com
www.katehaa.com

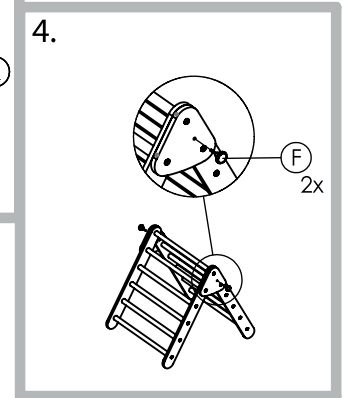
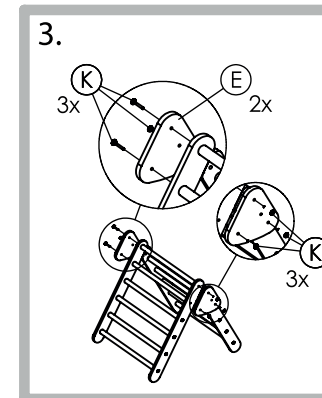
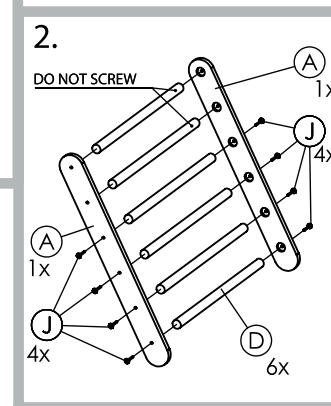
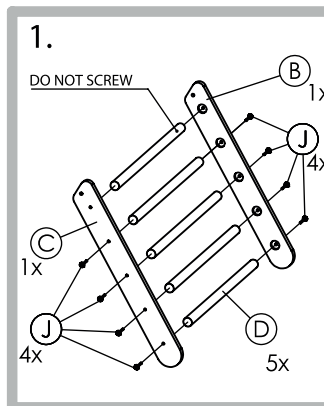
The package contains:

**ADULT
ASSEMBLY
REQUIRED**



- A - WOODEN SIDES (x2)
- B - WOODEN SIDE (x1)
- C - WOODEN SIDE (x1)
- D - WOODEN BARS (x11)
- E - FOLDING BLOCK (x2)
- F - THUMB SCREWS (x2)
- H - ALLEN KEY (x1)
- J - SHORT FLAT HEAD SCREWS (x16)
- K - LONG FLAT HEAD SCREWS (x6)

Please follow these steps:



Note: - Use ALLEN KEY (H) to screw the SCREWS (J) and (K) into the predrilled holes.
- Use your hand to hold the WOODEN BARS (D) during tightened the SCREWS.
- WOODEN BARS (D) are not allowed to constantly turn around during tightened the SCREWS.
- For easier assembly we recommend in steps 1. and 2. - at first screw in all the SCREWS (J) till half. When ALL SCREWS (J) is tightened till half, tighten them completely.

Thank you!

FOLLOW US ON:



KateHaa SIA protects it's unique designs worldwide
with patents and design registrations.

